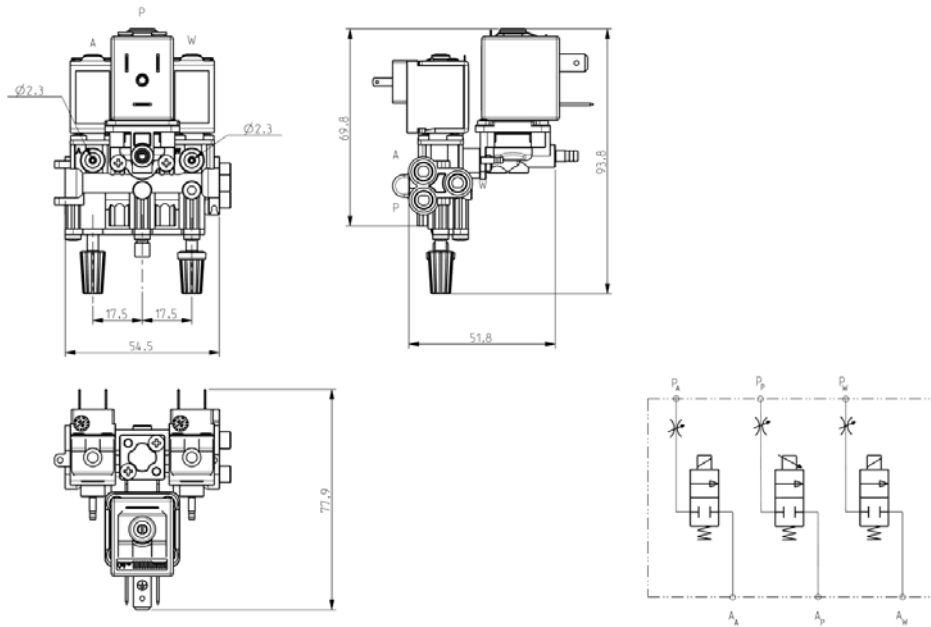




## MANIFOLD WITH:

# V625D02

- N°1: 2/2NC microactuator – Direct acting (A)
- N°1: 2 ways NC solenoid valve – Proportional – Direct acting (P)
- N°1: 2/2NC microactuator - DRY – Direct acting (W)



### ► GENERAL FEATURES

Manifold with 1 microactuator 2/2NC (A), 1 total isolation microactuator 2/2NC (W) and 1 proportional solenoid valve 2 ways NC (P); all direct acting.  
 Compact and versatile version, designed for dental equipments; equipped with 3 flow regulators. The modular system allows the use as single or as a set (max. 4 manifolds); the manifold is delivered with 3 sealing O-rings and joint pin. Heads group kit (feeding and end side) available separately (see details on the back).  
 Suitable to shut off liquid (W) and gaseous (A-P) fluids (verify the compatibility of fluid with materials in contact).

### ► TECHNICAL FEATURES

**Maximum allowable pressure (PS)** 8 bar  
**Opening time** from ~5ms to ~10ms (A – W)  
**Closing time** from ~5ms to ~10ms (A – W)  
**Fluid temperature** -10°C +90°C  
**Max. viscosity** 3°E (22 cStokes or mm<sup>2</sup>/s)

### ► MATERIALS IN CONTACT WITH FLUID

**Manifold body and seats** POM  
**Sealing** EPDM (WRAS/KTW certified compound)  
**Internal components** Stainless steel – PA66  
**Guide assembly** Stainless steel  
**Barbed ports** Brass

### ► COIL

**Continuous duty**  
**Encapsulation material**  
**Insulation class**  
**Ambient temperature**

**Electric connections**

**Protection degree**

**Voltages** DC

	ZB10A	ZE30A
	ED 100%	
	PA (polyamide) fiberglass reinforced	
	F (155°C)	
	-10°C +60°C	
	DIN 46340 3 poles plug connector	DIN 46340 micro plug connector
	IP65 (EN60529) with plug connector	IP65 (EN 60529) with micro plug connector
	12-24V (+10% -5%)	
	Proportional valve (P): 70 ± 220 mA (24V)	

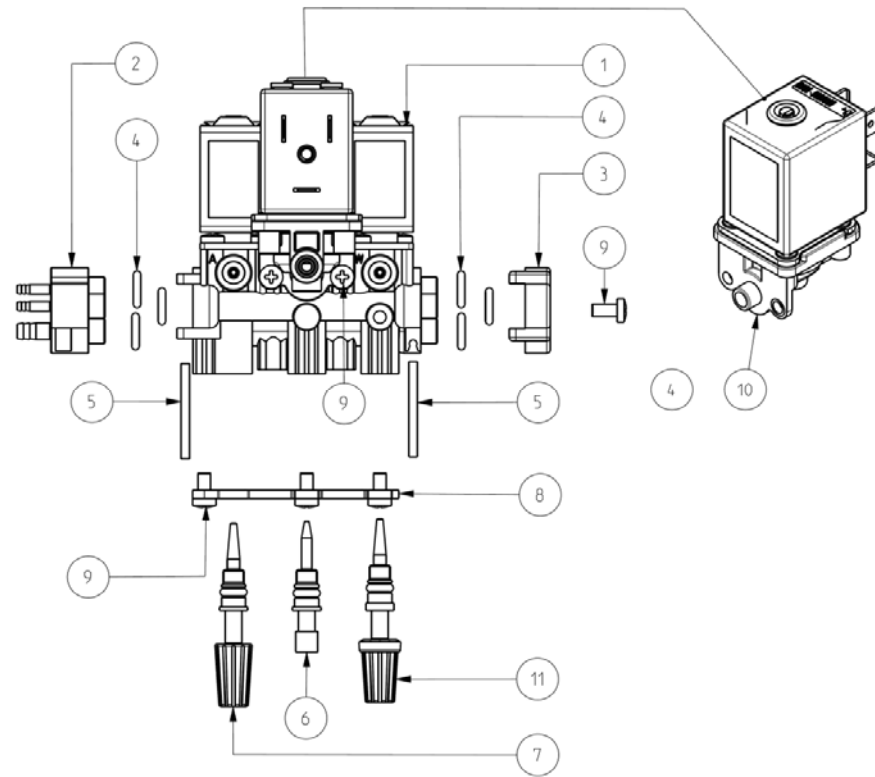
Ports ♦	Orifice size (mm)	Differential pressure (bar)				Kv (m <sup>3</sup> /h) ▲	Series and type			Absorption ■	Sealings	Notes	Weight (kg) ♦			
		Δp max					Manifold	Actuator	Coil							
		Δp min	Gas		Liquids											
	1,6			-	6	-	-	0,03	V625D02	DC (W)	4	EPDM	-	0,21		
Barbed ports	1,6	0	-	6	-	-	●	A							ZE30A	5.5
	1,5		-	-	-	3	0,03	P							ZB10A	4

### ► NOTE

- Sealing: EPDM = Ethylene-propylene elastomer (WRAS/KTW certified compound)
- ♦ - Features referred to the manifold equipped with feeding and end side heads.
- ▲ - Value referred to each single actuator
- - At the full opening of the microactuator, the air flow is 3.900 nl/h with Δp=6bar
- - Power absorption of a single coil

# V625D02

## ► SPARE PARTS



### Kit Description

Heads group kit

### Kit P.N.

G3144801

### Consisting of:

Feeding head pos. 2  
End side head pos. 3  
N°. 1 screw pos. 9  
N°. 3 OR pos. 4  
Pin pos. 5

OR kit

GU2446000006

N°. 6 OR pos. 4

Pin kit

G3145001

N°. 10 pins pos. 5

Motor channel regulator kit

429664001R

1 screw head regulator assembly pos. 6

Air regulator kit

430009001R

1 knob regulator assembly pos. 7

Water regulator kit

505265001R

1 knob regulator assembly pos. 11

Plate kit

G3144901

Plate pos. 8  
N°. 3 screws pos. 9

Proportional valve kit

G3145101

Proportional valve assembly pos. 10  
N°. 2 screws pos. 9  
OR pos. 4

Coil

ZE30A  
ZB10A

Coil pos.1

## ► MOUNTING

- Manifold can be mounted in any position; vertical with coils upwards preferred.

THE VALIDITY OF REPORTED DATA IS REFERRED TO THE DATE OF ISSUE. POSSIBLE UPDATES ARE AVAILABLE ON REQUEST